

**Berkeley Below Knee Adjustable Leg
BKAL-100 Temporary**

HOSMER

- Alignment tool which provides wide range of shift and angular adjustment
- Independent adjustment permits the transfer of the BKAL with socket to a Vertical or Horizontal Transfer Jig without changing or losing alignment
- Kit includes eight 1-1/2" diameter tubes of different lengths for easy height adjustment

- 50244** Berkeley BK Adjustable Leg Kit, *BKAL-100*
- 54452** Berkeley BK Adjustable Leg, *without Tube Kit*
- 50315** Tube Kit for Adjustable Leg, *Adult*
- 54453** Tube for BKAL, *36" Long*
- 60410** BKAT, *Berkeley Adjustable Leg Kit For Euro System*
- 60456** Foot Plug, *Pyramid*

- A. 50248** Plate Assembly
Includes:
- 50246** Screw
- 50247** Plate
- 50253** Pin
- 50262** Slide
- 50263** Tilt Plate
- 50264** Spacer

- B. 50256** Guide
- C. 50251** Spindle Assembly
Includes:
- 50258** Screw (*4 Required, Each Sold Separately*)

- D. 50261** Tilt Adapter Assembly
Includes:
- 50246** Screw
- 50253** Pin
- 50259** Tubing Adapter
- 50262** Slide
- 50263** Tilt Plate
- 50264** Spacer
- 50269** Screw

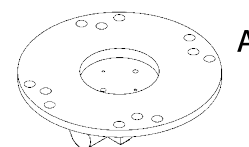
- E. 50315** Tube Kit
- F. 50055** Clamp
- G. 50117** Ankle Plug, *3/8" Bolt*
- H. 50215** Tilt Block



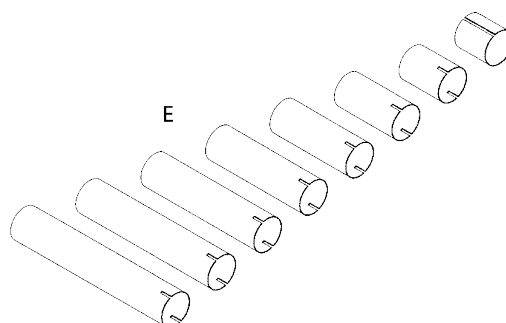
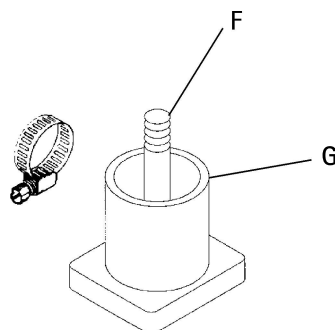
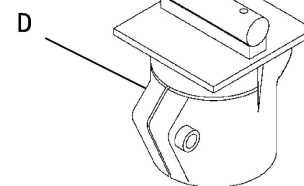
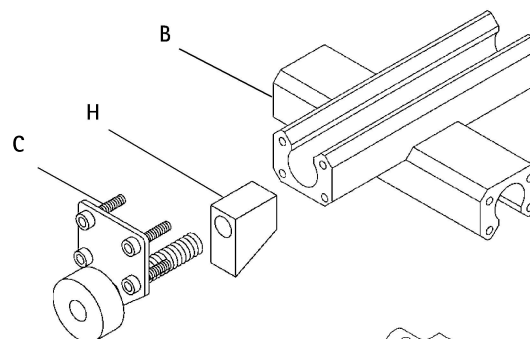
50244



60456



A

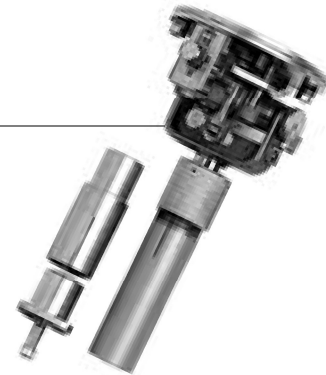


Fitting Alignment

Above Knee Adjustable Leg AKAL-100 (Temporary)

HOSMER

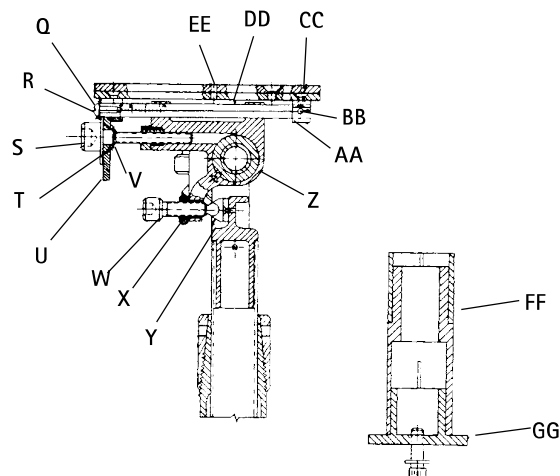
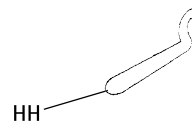
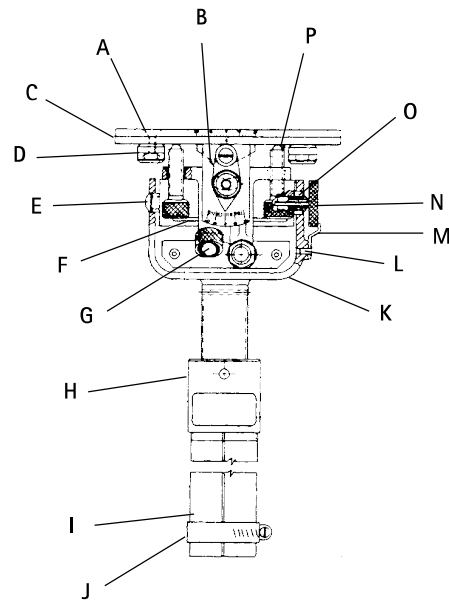
- Alignment tool for above knee prostheses
- Socket attached to AKAL in predetermined position of static alignment
- As patient's gait is analyzed during trial walking, every phase of alignment can be easily adjusted, including knee friction and length
- May be used to transfer socket and AKAL to Vertical or Horizontal Transfer Jig



50041 Berkeley AK Adjustable Leg, Adult, AKAL-100

Includes:

- A. 50044 Socket Plate Assembly
- B. 50045 Pointer
- C. 50046 Rotation Plate
- D. 50047 Rotation Lock Nut
- E. 50049 Screw
- F. 50086 Knee Bolt Assembly
- G. 50050 Lateral Locking Screw
- H. 50053 Lock Nut
- I. 50054 Sleeve
- J. 50055 Clamp
- K. 50063 Yoke Assembly
- L. 50064 Screw
- M. 50058 Friction Knob Clip
- N. 50061 Friction Knob Assembly
- O. 50082 Yoke Insert
- P. 50062 Tilt Screw
- Q. 50064 Screw
- R. 50065 Washer
- S. 50066 Fore-Aft Adjustment Screw
- T. 52912 Washer
- U. 50068 Tilt Indicator
- V. 50069 Retaining Ring
- W. 50062 Extension Stop
- X. 52369 Jam Nut
- Y. 55984 Cap, Adjustment Screw
- Z. 50079 Bracket Assembly
- AA. 50078 Pillow Block
- BB. 50829 Set Screw
- CC. 50076 Screw
- DD. 50074 Shaft
- EE. 55407 Pin
- FF. 50112 Extension
- GG. 50117 Ankle Plug, 3/8" Bolt
- HH. 50085 Spanner Wrench



Pylon Tube Kits

HOSMER

- Kit contains a series of eight 1-1/2" (3.8cm) I.D. tubes for use with adjustable legs



50315 Tube Kit Adjustable Legs, BTK-100

Includes:

- 54094 Tube, 1-1/2" Long
- 54095 Tube, 2" Long
- 54096 Tube, 3" Long
- 54097 Tube, 4" Long
- 50314 Tube, 5-1/8" Long
- 54098 Tube, 6-1/8" Long
- 54099 Tube, 7-1/8" Long
- 54100 Tube, 8-1/8" Long

50229 Pylon Tube Kit for Adjustable Temporary Leg, Child

Includes:

- 50237 Tube, 9" Long
- 50236 Tube, 8" Long
- 50235 Tube, 7" Long
- 50234 Tube, 6" Long
- 50233 Tube, 5" Long
- 50232 Tube, 4" Long
- 50231 Tube, 3" Long
- 50230 Tube, 2" Long



Long Stump Adapter

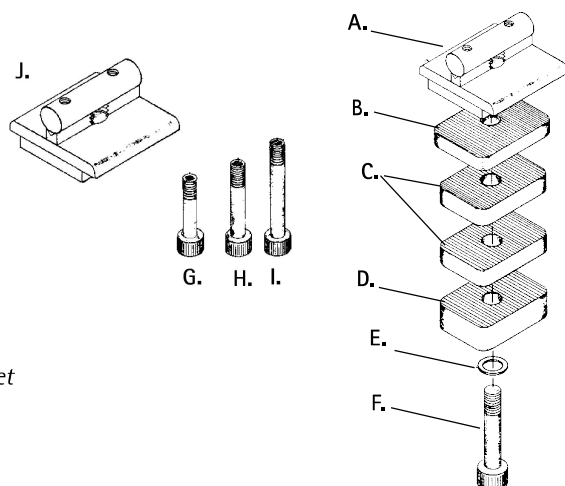
HOSMER

- May be quickly interchanged with lower assembly of BKAL adjustable leg
- The revision results is a shorter unit which is helpful in fitting a long BK
- Designed for use with SACH type feet

51465 Long Stump Adapter, LSA-100

Includes:

- A. 55651 Tilt Block Assembly
- B. 51473 Spacer, 1/4" Long
- C. 51474 Spacer, 3/8" Long
- D. 51475 Spacer, 1/2" Long
- E. 50270 Washer
- F. 52847 Screw, 3" Long
- G. 51470 Screw, 2-1/2" Long
- H. 51471 Screw, 3-1/4" Long
- I. 51472 Screw, 4" Long
- J. 61572 8mm Thread-Tilt Adapter, for Pediatric Feet



Fitting Alignment

Below Knee Adjustable Leg, Child Size BKAL-75 (Temporary)

HOSMER

- Child size version of BKAL-100
- 1" (2.5cm) inner diameter

50212 BK Berkeley Adjustable Leg, *Child, BKAL-75*

A. 55767 Plate Assembly

Includes:

- 50213** Screw
- 50214** Plate
- 50215** Tilt Block
- 50226** Slide
- 50227** Tilt Plate
- 50264** Spacer

B. 50221 Guide

C. 50217 Spindle Assembly (*4 Each*)

D. 55766 Tilt Adapter Assembly

Includes:

- 50224** Screw
- 50253** Pin
- 50225** Tubing Adapter
- 50262** Slide
- 50227** Tilt Plate
- 50264** Spacer
- 50269** Screw

E. 50229 Tube Kit

F. 50055 Clamp

G. 50228 Foot Adapter

H. 50241 Spacer, *1/4" Long*

I. 50242 Spacer, *1/2" Long*

J. 50243 Spacer, *1-1/2" Long*

K. 50270 Washer

L. 51470 Screw, *2-1/2" Long*

M. 52847 Screw, *3" Long*

N. 51471 Screw, *3-1/4" Long*

O. 51472 Screw, *4" Long*

P. 61572 8mm Thread-Tilt Adapter

